



BRASS BALL VALVE

Threaded - Full Port - Lead Free

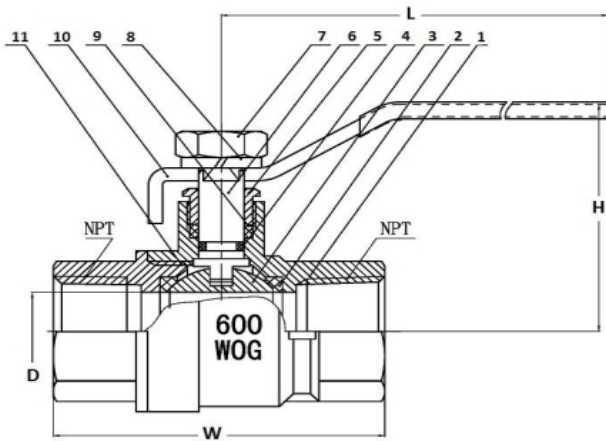


FEATURES

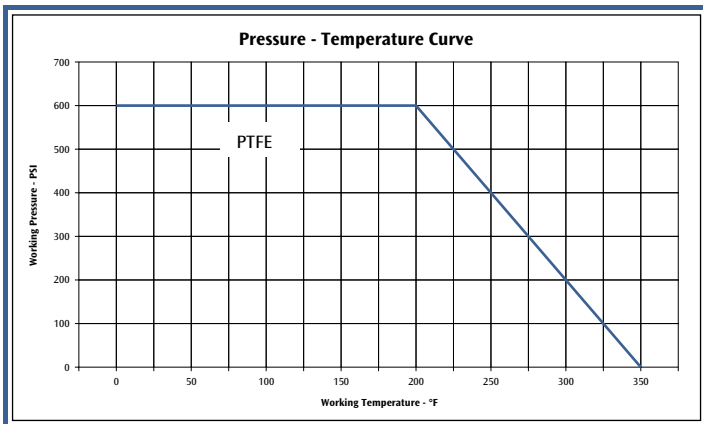
- Blow-out proof stem
- Locking Handle option
- 600WOG/150WSP
- 100% leak tested

APPROVALS

- ✓ FM Approval (1/2" – 2")
- ✓ IAPMO Certified (NSF & UPC)
- ✓ CSA Certified (1/4" – 2")
- ✓ UL Listed (1/4" – 2") Up to 175PSI



SIZE	D	W	H	L
1/4"	0.394	1.73	1.69	3.35
3/8"	0.394	1.73	1.69	3.35
1/2"	0.591	2.24	1.81	3.35
3/4"	0.748	2.52	2.09	4.29
1"	0.984	2.97	2.25	4.29
1-1/4"	1.259	3.44	2.52	5.63
1-1/2"	1.574	3.88	2.74	5.63
2"	1.941	4.30	3.03	5.63
2-1/2"	2.520	5.53	4.25	7.76
3"	2.874	6.10	4.84	8.37
4"	3.819	7.79	5.85	9.25



NO.	ITEM	TOTAL	MATERIAL
11	CAP	1	LEAD FREE BRASS
10	HANDLE	1	PLATED STEEL
9	PACKING	1	PTFE
8	LOCK WASHER	1	PLATED STEEL
7	HANDLE NUT	1	PLATED STEEL
6	STEM	1	BRASS (1/4" – 2")
	STEM	1	STAINLESS STEEL (2-1/2" – 4")
5	PACKING NUT	1	BRASS
4	O-RING	1	NBR
3	BALL	1	STAINLESS STEEL (1/4" – 4")
2	SEAT	2	PTFE
1	BODY	1	LEAD FREE BRASS